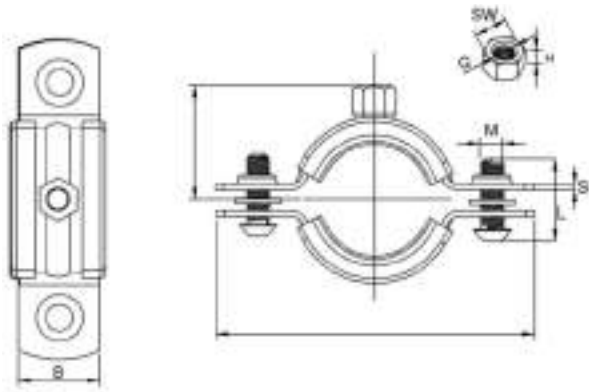


## Clamp with vibration damper (M8 nut)

### APPLICATION METHOD:

- used for mounting pipes to surfaces, both vertical and horizontal;
  - for hanging stationary non-insulated copper pipelines;
  - fasteners for heating, plumbing and sewage pipelines to walls, ceilings and floors.
- Corresponds to DSTU 24132-80 and DSTU 21140-80.



### SPECIFICATION:

- material: steel and rubber;
- surface: galvanized.

Art.	Size	Diameter, mm (D)	Steel (S*B)	Screw (M*L)	Nut (G)	Pieces in a package
0101040201	1/2"	20-23	1.2*20	M6*20	M8	120
0101040202	3/4"	25-30	1.2*20	M6*20	M8	100
0101040203	1"	32-37	1.2*20	M6*20	M8	200
0101040204	1-1/4"	42-47	1.2*20	M6*20	M8	200
0101040205	1-1/2"	47-53	1.2*20	M6*20	M8	100
0101040206	2"	59-65	1.2*20	M6*20	M8	200
0101040207	2-1/2"	70-80	1.2*20	M6*20	M8	50
0101040208	3"	85-94	1.2*20	M6*20	M8	50
0101048201	-	53-58	1.2*20	M6*16	M8	80
0101048205	-	107-112	1.2*20	M6*16	M8	70
0101040209	4"	109-121	1.2*20	M6*20	M8	40
0101040210	6"	158-168	1.2*20	M6*20	M8	20