



Goodwin

Goodwin company has been represented on the Ukrainian market since 2005 and today is one of the leaders in the production of reinforced-plastic and aluminum structures. Goodwin company produces 1200 reinforced-plastic structures and more than 180 aluminum structures per day. The production base of Goodwin company is 7000 square meters. There are shops for the production of reinforced-plastic and aluminum structures, shop for the production of double-glazed windows, storage facilities and a fleet of cars.

PRODUCTION



Most production operations at Goodwin plant are carried out using fully automated lines and robotic machines. Reducing the influence of the human factor and a well-established workflow allows you to provide complete control over the execution of orders of any complexity and volume.

For profile cutting, a high-speed SCHIRMER BAZ 1000 TANDEM line with a capacity of more than 280 windows/shift is used. This unique equipment has no analogues in Ukraine.

The reinforcement of the plastic profile is performed with a special machine. Blowing profiles with compressed air is held in the process of reinforcement.

The profile is welded into integral frames and sash parts on the four-head Sturtz welding and grinding automatic lines (produced in Germany). This makes it possible to simultaneously weld all four corners of the frame and sash. Welded seams in the corners of the structures are smooth and even. It is one of the main indicators of high quality window manufacturing. Thanks to this production technology, equality of the diagonals is observed, which is very important for the tightness and rigidity of the finished product. The thermal mode of welding with an automatic Sturtz machine is controlled at the software level with absolute accuracy (0% error), which excludes the presence of low-quality welds.

GOODWIN WINDOW STRUCTURES

Goodwin window systems are created on the basis of their own high-tech production using the reliable German profile of Veka company, one of the world leaders in the development and production of window and door systems made of high-quality plastic. Goodwin specialists have developed a line of new products of translucent structures made of VEKA profile systems corresponding to class A with an outer wall thickness of 3 mm.

Goodwin constructions use high-quality double-glazed windows of their own production, the glasses of which conform to Guardian company's European quality standards.

We use German Roto and Siegenia fittings.

Our structures meet European quality standards and have 5 years of unconditional guarantee. The use of modern technologies and unique equipment allowed us to achieve high quality and reliability of window systems, as well as significantly reduce their cost for end users. Thus, we offer not just windows, but unique solutions for home and office that can make your life more comfortable.

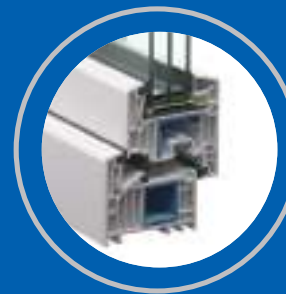
Goodwin windows have excellent performance, incredible convenience and long service life. They can completely transform the interior and change your idea of what modern European windows really should be.



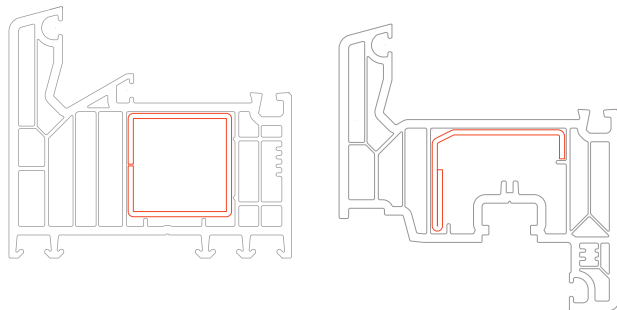
GOODWIN WINDOW STRUCTURES



1. Qualitative profile Veka - class A
2. Reliable German fittings Roto and Siegenia
3. Energy-efficient double-glazed windows
4. High quality guarantee
5. Term production from 4 days



GOODWIN SOFTLINE 82



Goodwin Softline 82 is an innovative, energy efficient system of a new generation with an increased fold and 3 sealing contours. Goodwin Softline 82 window structures are an ideal choice for installation in private homes, cottages and apartments with high energy efficiency requirements. Goodwin Softline 82 allows you to make structures with enhanced sound insulation properties and class RC1, RC2, RC3 protection against breaking.

Options: lamination, door manufacturing, lifting and sliding doors, sliding systems, arched and non-standard shapes.

1.	Mounting width:	82
2.	Class of profiles:	A
3.	Reinforcement:	closed, square
4.	Bead groove cap:	yes
5.	Profile heat transfer: (with reinforcement installed):	0.94 m ² K/W
6.	Fittings:	Roto, Siegenia

Advantages



The maximum mounting width 82 mm of the frame and sash allows to achieve the highest rates of energy efficiency



The special structure of the fold eliminates the possibility of condensation in the area of the spacer bar

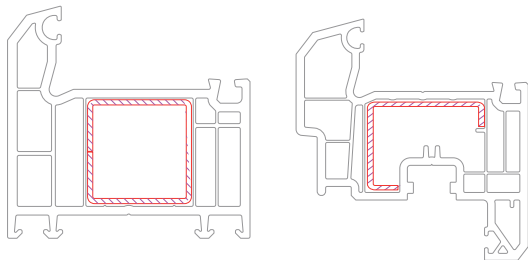


The use of a special closed-section reinforcement in the frame and transom bars enhances the static performance of the finished products.



The elegant design of the external contour of the profile repeats the classic linear optics of the SOFTLINE system.

GOODWIN TOPLINE



Goodwin Topline is a new exclusive design that favorably differs in its appearance and has no analogues in Ukraine. A semi-flat sash, exquisite beveled edges, echoing in all the details of the window, will give a unique highlight to the interior and exterior of the room. At the same time, Goodwin Topline window structures meet the high requirements of energy efficiency, noise insulation and safety. They have an ability to provide class RC1, RC2, RC3 protection against break-in as well.

Options: lamination, door manufacturing, sliding systems, «bellows», arched and non-standard shapes.

1. Mountingwidth:	70
2. Class of profiles:	A
3. Reinforcement:	closed, square
4. Bead groove cap:	yes
5. Profile heat transfer: (with reinforcement installed):	1,2 m2K/W
6. Fittings:	Roto, Siegenia

Advantages



Expressive design that is created by linear optics with accented edging



The outer wall thickness of 3 mm complies with EN DIN 12608 and the most stringent requirements for energy efficiency

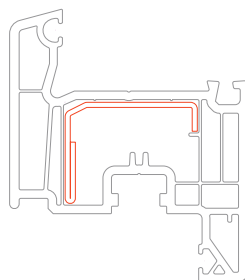
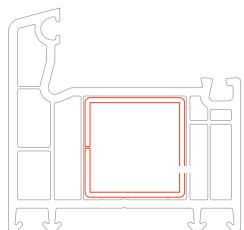


The use of a special closed-section reinforcement in the frame and transom bars significantly enhances the static performance of the finished products



Wide scope of application, the possibility of implementing various design ideas

GOODWIN SOFTLINE



Goodwin Softline is a classic system with high quality and performance characteristics, fully reveals the possibilities of Goodwin window constructions, allows you to implement any ideas. Goodwin Softline structures have a basic anti-break-in feature.

Options: lamination, door manufacturing, lifting and sliding doors, sliding systems, arched and non-standard shapes.

1.	Mounting width	70
2.	Class of profiles:	A
3.	Reinforcement:	n-shaped
4.	Bead groove cap:	no
5.	Profile heat transfer: (with reinforcement installed):	1.23 m ² K/W
6.	Fittings:	Roto, Siegenia

Advantages



Stable five-chamber profile system with excellent insulating characteristics



Durable and safe plastic, resistant to environmental influences



High noise insulation ensures peace and quiet in your home. Increased height of the frame baffle allows to reduce the fogging of the edge zone of the double-glazed window.



The outer wall thickness of 3 mm complies with EN DIN 12608 and the most stringent requirements for energy efficiency.

GOODWIN PROLINE



Goodwin Proline 70 is a window system that is optimal in terms of its quality and price characteristics, possessing all the properties of classic 5-chamber systems, suitable for glazing residential premises, as well as institutions where it is necessary to comply with state building codes for thermal insulation of public buildings and structures. Goodwin Proline 70 constructions have basic burglar resistance.

Additional features: sliding systems, non-standard shapes (except arched).

1.	Mounting width:	70
2.	Class of profiles:	A
3.	Reinforcement:	p-shaped
4.	Bead groove cap:	not
5.	Profile heat transfer: (with reinforcement installed):	0,79 m ² K/W
6.	Fittings:	Roto, Siegenia

GOODWIN WHS 72



Qualitative profile Veka - class B

WHS is a trademark of the German concern VEKA. WHS profile systems have taken over most of the advantages of high quality VEKA products. However, they belong to class B and have a wall thickness of 2.7 mm, while the wall thickness of the VEKA profile is 3 mm.

Goodwin WHS 72 is a window system designed for the manufacture of structures of simple shapes with a high rate of energy efficiency and sound insulation, can be used in the glazing of residential premises and institutions with budget funding.

Additional features: doors, balconies, partitions, non-standard shapes (except arched).

1.	Mounting width:	72
2.	Class of profiles:	B
3.	Reinforcement:	p-shaped
4.	Bead groove cap:	not
5.	Profile heat transfer: (with reinforcement installed):	0,65 m ² K/W
6.	Fittings:	Roto, Siegenia

GOODWIN WHS 60



Qualitative profile Veka - class B

WHS is a trademark of the German concern VEKA. WHS profile systems have taken over most of the advantages of high quality VEKA products. However, they belong to class B and have a wall thickness of 2.7 mm, while the wall thickness of the VEKA profile is 3 mm.

Goodwin WHS 60 is a window system designed for the manufacture of budgetary window structures with low operational load, ideal for glazing balconies, country houses, outbuildings, utility rooms.

Additional features: doors, balconies, partitions, non-standard shapes (except arched).

1.	Mounting width:	60
2.	Class of profiles:	B
3.	Reinforcement:	p-shaped
4.	Bead groove cap:	not
5.	Profile heat transfer: (with reinforcement installed):	0,65 m2K/W
6.	Fittings:	Roto, Siegenia

ENTRY GROUP



1. Qualitative profile Veka - class A
2. Reliable German fittings Roto and Siegenia
3. Energy-efficient double-glazed windows
4. Thickness of zinc reinforcing profile in casement 2 mm
5. Term production from 4 days



ENTRY GROUP



REINFORCED-PLASTIC DOORS

Goodwin entrance doors are not only your protection, it is your landmark. Using our doors as an example, we want to demonstrate that PVC entrance panels can be reliable, beautiful, warm and ant-break-in. We offer a huge selection of fittings and turnkey solutions to create an entrance group that will fully comply with customer requirements for design, performance and other features of use.

Technical data:

1. Profile: Softline 82, Softline,
2. Colour: white, lamination possibility.
3. Filling: double-glazed window, 24 mm, 32 mm, 44 mm sandwich panels.
4. Double-glazed window: 24 mm, 32 mm, 40 mm, 44 mm.
5. Maximum sash dimensions: 1.5 m wide, 2.4 m high, sash area 2.5 m².
6. Handle: bell knob, office handle.

Options:

- + manufacturing of arched shapes;
- + lamination of structures in designer colors and «natural wood» (p. 33);
- + options for single and dual-sided lamination;
- + possibility of making a «warmed» pattern with a thermal insert;
- + additional reinforcement of the sash angle in large-sized structures.

REINFORCED-PLASTIC DOORS WITH DOUBLE-SIDED ATTACHABLE FILLING

Goodwin company offers exclusive reinforced-plastic doors in Ukraine with double-sided attachable filling, which perfectly combine reliable protection and high aesthetic performance. All design components used ensure optimum thermal insulation, and thus the required energy savings. Aluminum sheet with a thickness of 3 mm on the outside and aluminum sheet with a thickness of 2 mm on the inside provide the maximum degree of protection so that you feel comfortable and safe in your own home.



Our website: www.goodwin.ua

More about Goodwin: www.goodwin.ua/about/goodwin/

Our YouTube channel: www.youtube.com/channel/UCPvxoUR2LcCQtoWpGO5nHmA

Facebook/Instagram: www.facebook.com/goodwin.ua, www.instagram.com/goodwin.ua/



Certificates and passports: www.goodwin.ua/about/goodwin/

Contacts

61054, Ukraine, Kharkov, entry Zagorodny, 22
e-mail: sale@goodwin.ua / export@goodwin.net.ua

Phone

+380 50 020 00 65 / +380 68 402 88 88
+38 099 402 88 88