



## Flexible, powerful, self-contained enterprise platform For the network wide distribution of television channels

Encoded Media TV Server 2/DVB T2 is a 1U hardware appliance giving instant access to digital terrestrial free-to-air channels by streaming the signal across your current IP network.

Capable of automated recording, archiving and uploading of content, it can be remotely managed and monitored by a simple to use web browser interface or integrated with room control systems.

### Inputs

- Digital terrestrial (DVB-T2) x 2

### Output

- MPEG-TS UDP multicast
- RTSP unicast (up to 150 connections)
- MP4 and WMV recordings

### Built in Recorder (NPVR)

- Fully automated recording
- 250GB local storage (~100 hours)

### Built in Video on Demand

- RTSP video on demand server

### Built in Transcoding Engine

- Live recompression to lower bitrates
- Codec conversion video and audio
- Automatic content uploading

### Built in Middleware Server

- Drive set-top boxes, PCs and Macs
- Access control

### Management

- Web based administration interface
- Remote monitoring with IPTV Manager

### Integration

- IP based control for e.g. Crestron, AMX

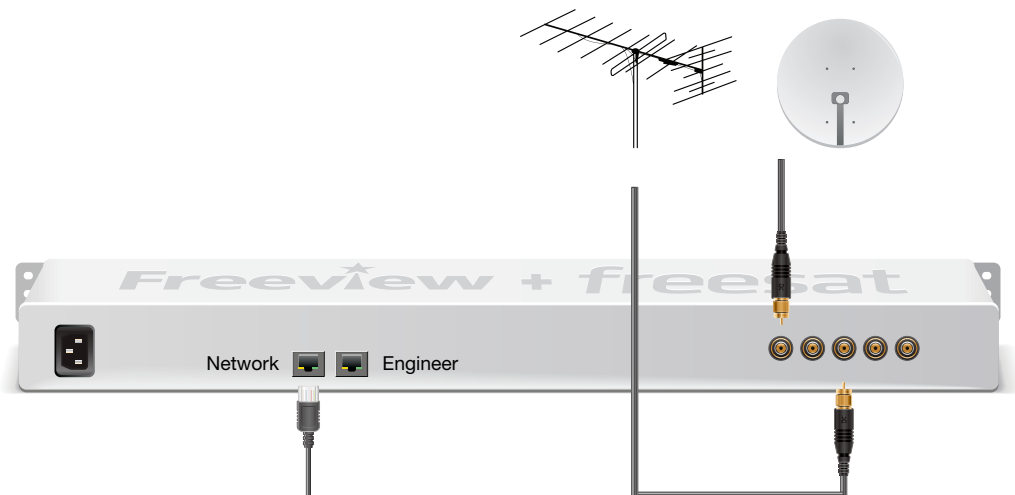
### For Enterprise

- 1U short depth
- DHCP server
- Dual LAN

**DVB T2 DVB S2**

Terrestrial + Satellite  
2 tuner appliance  
combining Freeview + Freesat

# TV Server 2/DVB Flex



## Technical Specification

<b>Input</b>	F-type connector x 5	<b>Network</b>	DHCP or static IP address 10/100/1000 Mbps Ethernet
<b>Storage</b>	250GB	<b>Dimensions</b>	1U 482 mm x 290 mm x 45 mm (excluding connectors); 4.1 kg
<b>Protocols</b>	MPEG-2 Transport Stream RTSP, UDP IP multicast IP dynamic/static unicast IGMP SAP	<b>Management</b>	HTTP, SSH, Telnet, EMControl
<b>Power</b>	100~240 V, 50/60 Hz IEC C14 inlet 100W, 350BTU/hr	<b>Operating temp.</b>	4°C to 40°C
<b>Output</b>	MP2, MP4 and WMV 0.1-25 Mbps 120p - 1080p 16:9/4:3		

Encoded Media are the UK's experts in Video and IPTV software. Our products are used daily by FTSE 100 clients in the corporate, financial and legal arenas. Visit [encodedmedia.com](http://encodedmedia.com) for more information.



**Smart Video Solutions**

[www.encodedmedia.com](http://www.encodedmedia.com)

Essex Technology Centre, The Gables, Ongar CM5 0GA, UK  
Trademarks property of their respective owners. Copyright ©  
Encoded Media UK Limited. All rights reserved, E&OE. In the interest  
of continuous product improvement, specifications are subject to  
change without notice. Version 3.2