



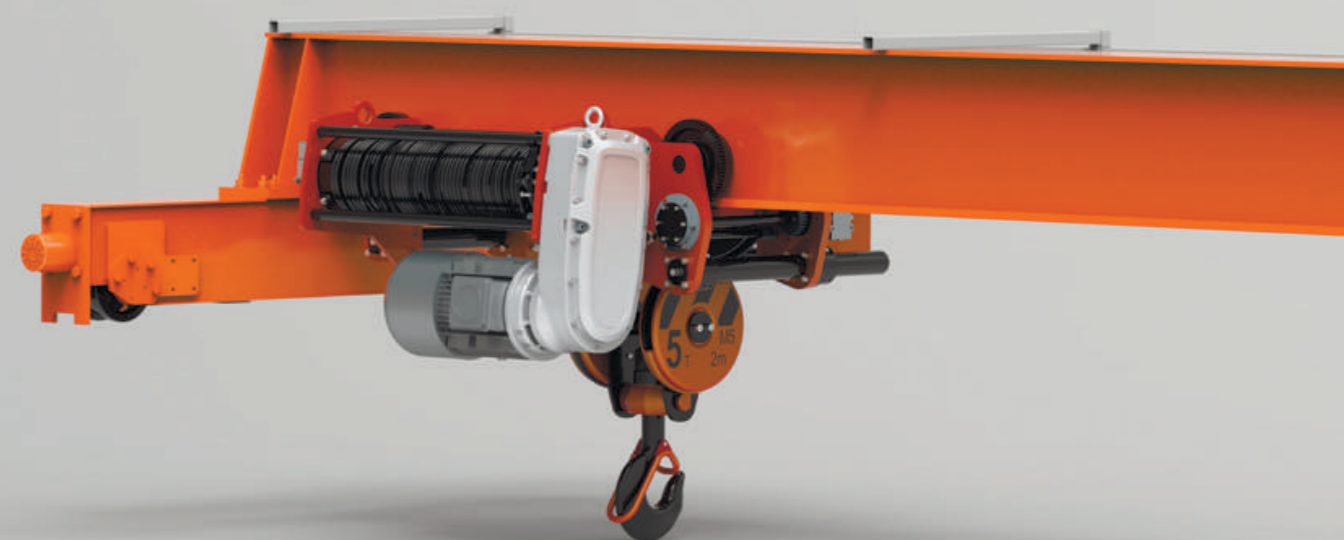
Olexandriia lifting and  
transport equipment plant

## Contacts:

28000, Ukraine, Kirovograd region, Oleksandriia,  
Zvenygorodske shosse, 8/26

Phones:  
+38 (050) 55 08 044

Email:  
sale@ozptu.com



ozptu



ozptu



company/ozptu



ozptu.com



- Single-girder support cranes
- Single-girder suspended cranes
- Bridge double-girder cranes
- Gantry cranes
- Gantry manual cranes
- Special cranes

- Cabins for gantry and bridge cranes
- Cable drum
- Closed trolley power line
- Electric wire rope hoists series H, HS, HLC, HNC-3/5/10/20/25
- Self-propelled rail trolley
- Electrical equipment



## **Olexandriia lifting and transport equipment plant**

Our company was founded in 2014. In this short period of time we managed to reach considerable heights. We have prepared a team of professionals and together we are going to the goal: to provide our customers with modern lifting and transport equipment, introducing new technologies to increase productivity and safety at work. Our company cooperates with world leaders in the field of lifting equipment components, which allows us to create one of the best European quality products .

Today we offer customers the most effective solutions for modernization, automation and control of technological processes, in order to save resources and increase productivity.

# Single-girder support cranes

## Single-girder support cranes can be used:

- ❑ In warehouses and logistics centers;
- ❑ At machine-building plants;
- ❑ At factories for the manufacture of metal structures;
- ❑ At pulp and paper mills and other enterprises which use heavy and oversized loads.

## Technical characteristics:

- ❑ Range of loading capacity from 1 to 20 t;
- ❑ Crane run is 4.5-28.5 m;
- ❑ Lifting speed 4-16 m / min;
- ❑ Crane movement speed 10-40 m / min;
- ❑ The crane A1 - A6 operation mode.

## Options:

- ❑ Tandem control (control of two cranes simultaneously from one control panel);
- ❑ Indication of cargo weight (digital board);
- ❑ The registrar of parameters of work of the crane;
- ❑ Cargo control system;
- ❑ Radio control.

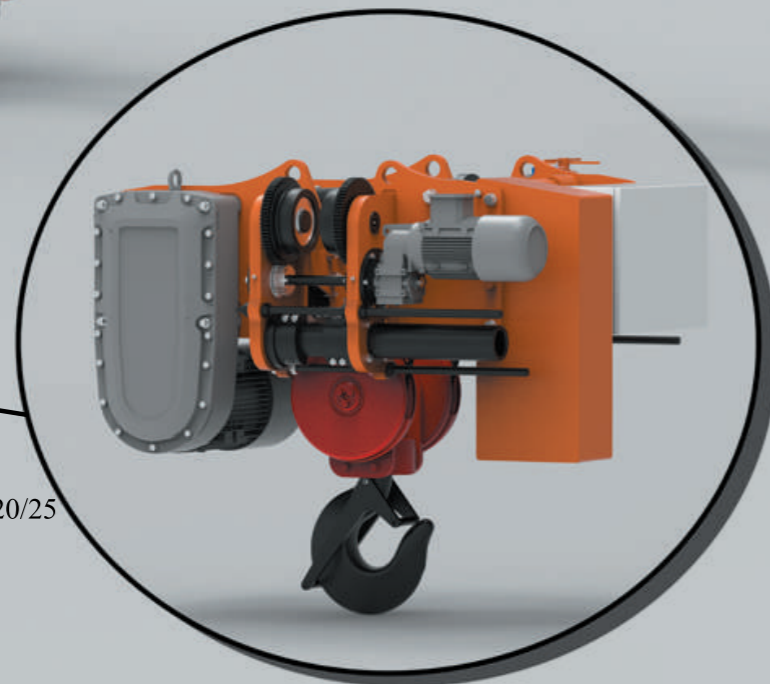
## SERVICE AND MAINTENANCE:

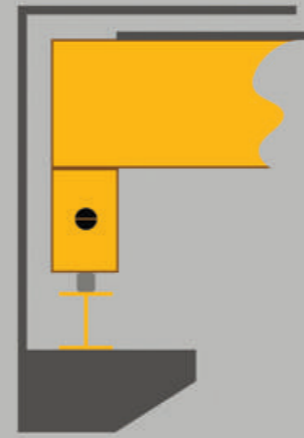
Technical control and maintenance according to the work list. Periodic inspections in accordance with the rules and special regulations for repair work. We can create an individual service package for you, which will correspond to your operation equipment mode.

Electric wire rope hoists series H, HS, HLC, HNC-3/5/10/20/25

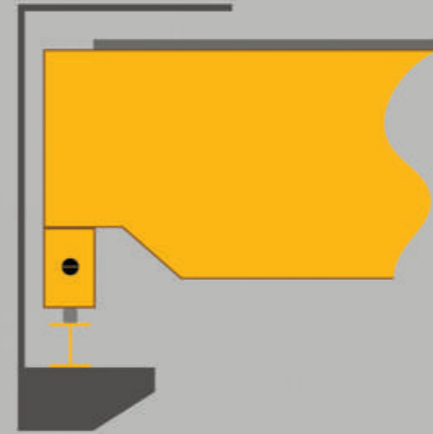


Electric wire rope hoists series H, HS, HLC, HNC-3/5/10/20/25

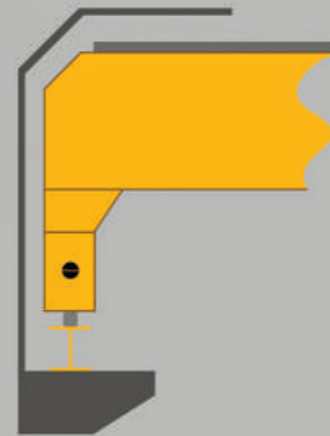




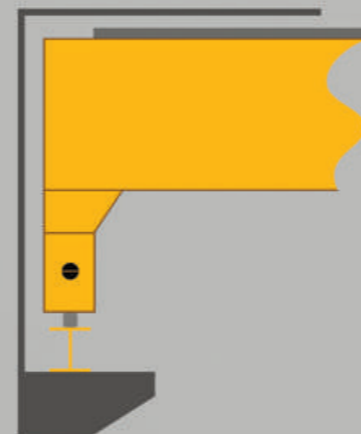
Execution of KO-A



Execution of KO-B

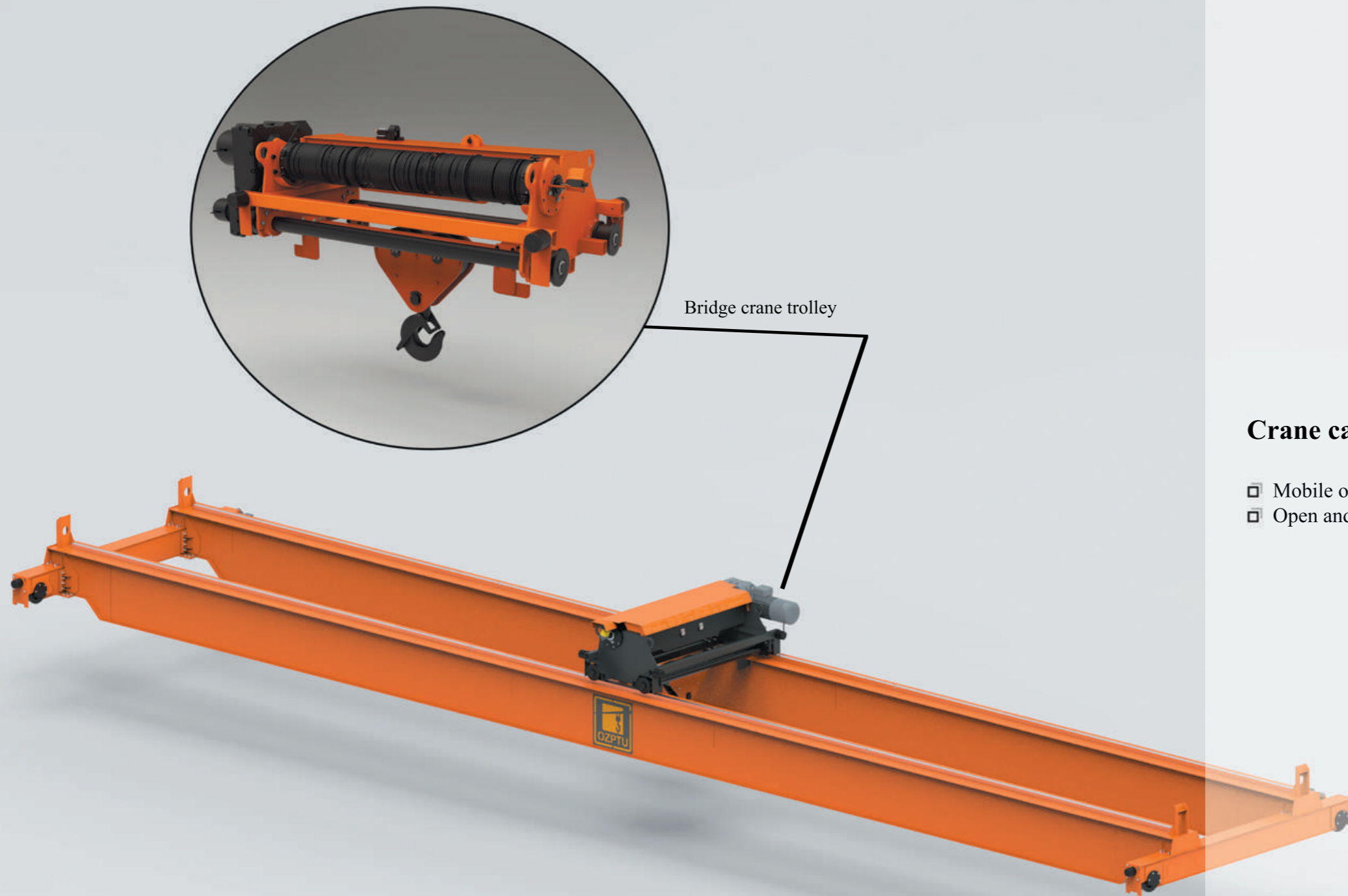


Execution of KO-V



Execution of KO-G

# Double-girder bridge crane



## Advantages:

- ❑ The minimum size of a dead zone, optimum use of width of shop;
- ❑ Smooth mode of acceleration and braking;
- ❑ Maximum use of space.

## Options:

- ❑ Tandem control (control of two cranes simultaneously from one control panel);
- ❑ Indication of cargo weight (digital board);
- ❑ The registrar of parameters of work of the crane;
- ❑ Cargo control system;
- ❑ Radio control.

## Crane cab type:

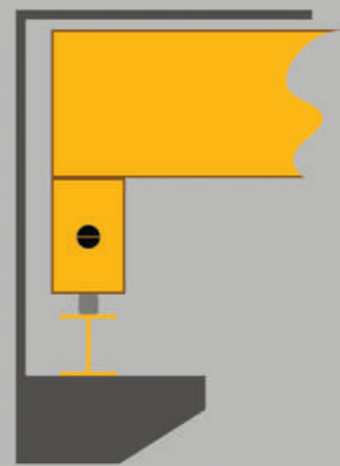
- ❑ Mobile or stationary;
- ❑ Open and closed.

## Options:

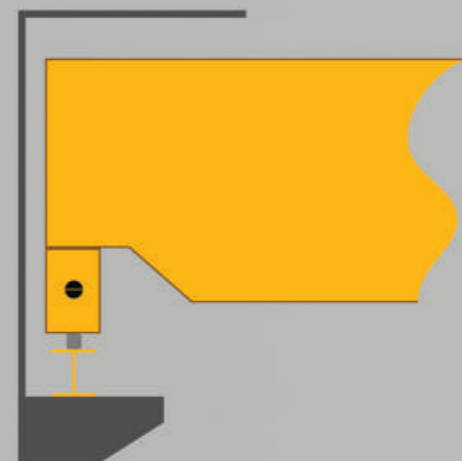
- ❑ Equipped with air conditioning / heating;
- ❑ Various controls with joysticks or radio control;
- ❑ External control from the floor.

## Technical characteristics:

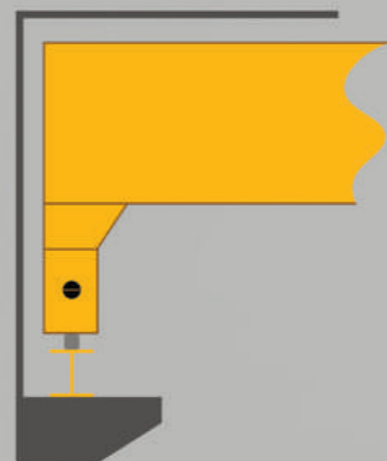
- ❑ Range of loading capacity from 5 to 100 t;
- ❑ Crane run is 4.5-34.5 m;
- ❑ Lifting speed 4 - 40 m / min;
- ❑ Crane movement speed 20 -160 m / min;
- ❑ Crane operation mode A1 - A8.



Execution of KM-A



Execution of KM-B



Execution of KM-V

# Single-girder suspended crane

## When choosing a crane you need to consider:

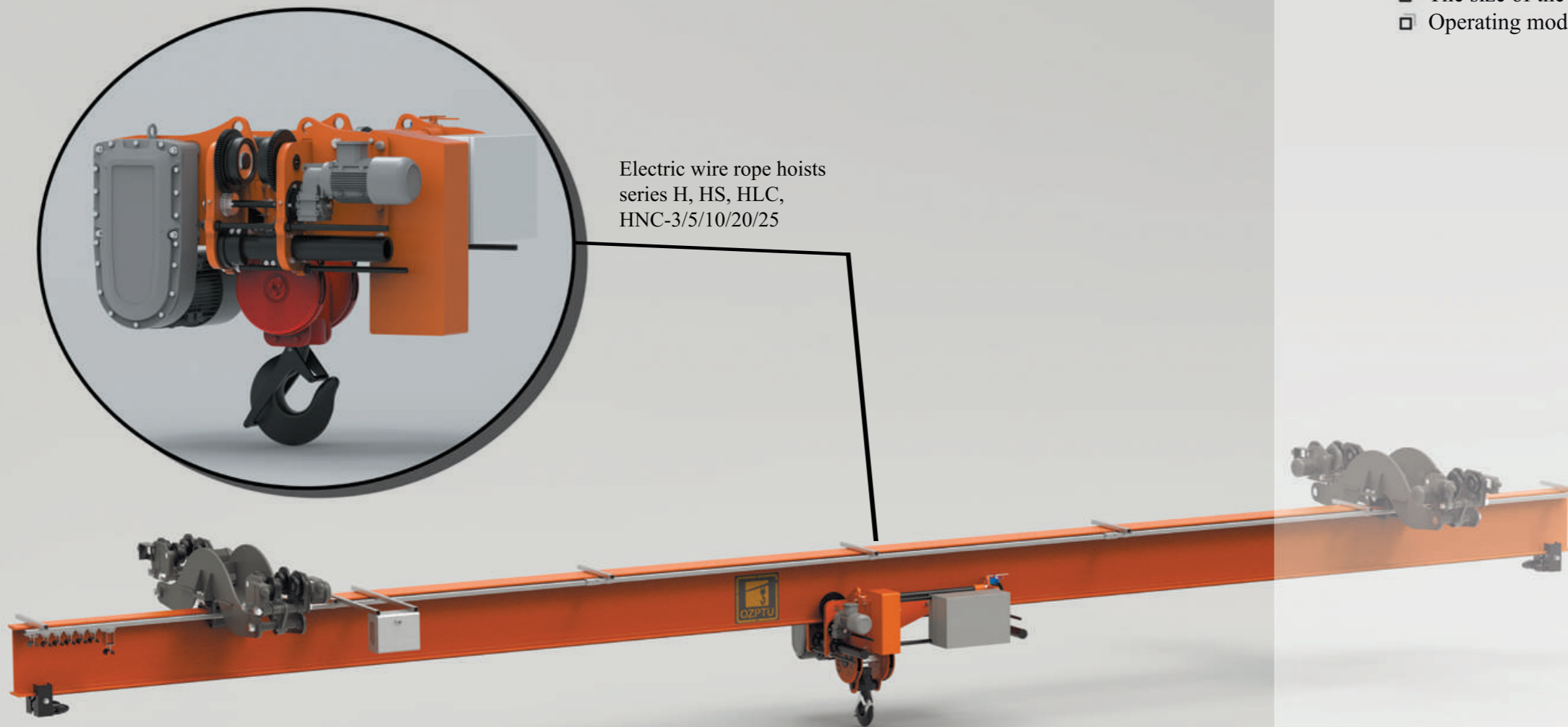
- ❑ The maximum weight of the cargo;
- ❑ The size of the working area of the crane;
- ❑ Operating mode.

## Technical characteristics:

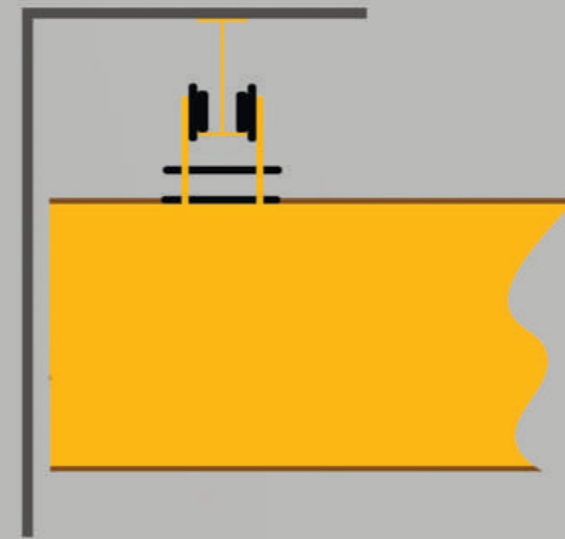
- ❑ Range of loading capacity from 1 to 20 t;
- ❑ Crane run is 2-34 m;
- ❑ Crane console from 0.3 to 5 m;
- ❑ Lifting speed 4-16 m / min;
- ❑ Crane movement speed 10-40 m / min;
- ❑ The mode of operation of the crane A1 - A6.

## Options:

- ❑ Tandem control (control of two cranes simultaneously from one control panel);
- ❑ Indication of cargo weight (digital board);
- ❑ The registrar of parameters of work of the crane;
- ❑ Cargo control system;
- ❑ Radio control;
- ❑ Floating block (to compensate for non-parallel paths).

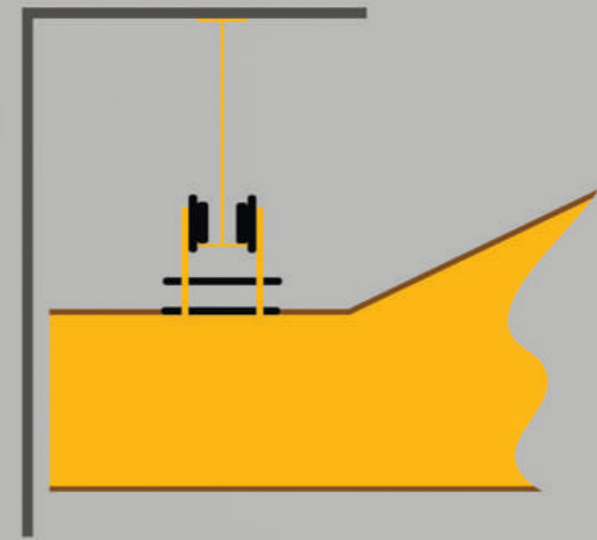


Electric wire rope hoists  
series H, HS, HLC,  
HNC-3/5/10/20/25



**Execution of KP-A**

Construction height of the one-beam suspended crane with the rolled profile beam is very small.  
The crane is mounted directly on a shop ceiling or a steel design.

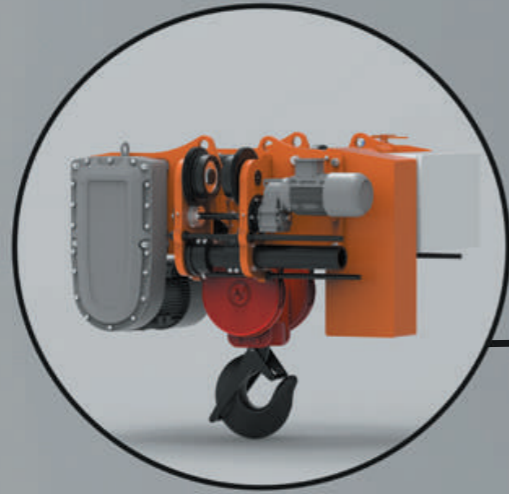


**Execution of KP-B**

At big spans and big loading capacity crane bridges are made cranked.



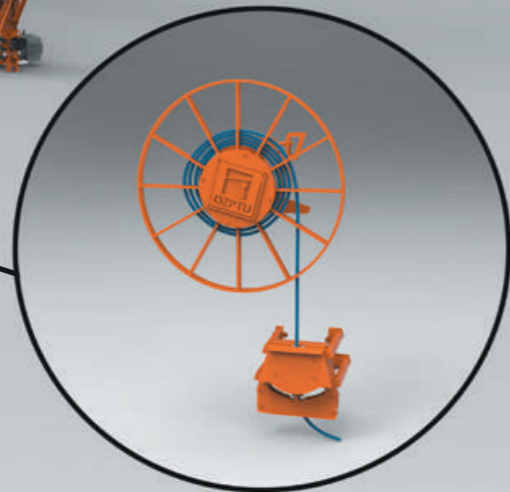
# Gantry crane



Electric wire rope hoists series H, HS, HLC, HNC-3/5/10/20/25



Cable drum



## Control of the gantry crane can be carried out:

- From a stationary or mobile cabin;
- From the suspended panel;
- Through the remote control (radio remote control).

## General purpose gantry cranes can be used:

- At storage sites;
- Industrial and construction facilities;
- In cargo ports;
- At railway facilities;
- Container terminals;
- In shipbuilding.

## Options:

- Tandem control (control of two cranes simultaneously from one control panel);
- Indication of cargo weight (digital board);
- The registrar of parameters of work of the crane;
- Cargo control system;
- Radio control;
- Anemometer.

## Advantages:

- Variations of a design allow to receive optimum technical decisions;
- Protruding consoles allow you to increase the service area;
- Ease of manufacture and operation;
- High heat resistance, the ability to work at high and low temperatures.

Cranes are made with a hook or with special lifting devices. Run of cranes of general purpose from 4 to 40 m, loading capacity of such cranes from 3 to 60 t. According to features of a design cranes are divided into: console and cantilever, and also truss box and tubular, one and two-beam.

# Manual gantry cranes



Manual gantry cranes (light gantry crane, mobile reloading device) are ideal for use in industry, service shops, service workshops. Given their use for work on small and medium loads, the gantry crane light does not require crane tracks, because it moves manually on polyamide swivel wheels.

## The gantry crane consists of:

- ❑ Two end beams on polyurethane or metal wheels;
- ❑ Two or more supports resting on end beams;
- ❑ One or two main beams mounted on the crane support;
- ❑ Manual or electric hoist;
- ❑ Additional brake system.

## Main technical features:

- ❑ Movement of the crane manually from the used polyamide rotary wheels;
- ❑ No need for a crane way;
- ❑ Loading capacity - 250-5000 kg;
- ❑ Flight up to 8 m;
- ❑ Simple and reliable design.

The loading device (gantry crane) can be operated both indoors and outdoors, depending on the type of hoist installed on the device. Operation is allowed at an ambient temperature of not less than -40 degrees C and not more than +60 degrees C.

# Special cranes



## Types:

- ❑ Foundries;
- ❑ Grapples;
- ❑ Magnetic;
- ❑ Magnetic-grabbing.

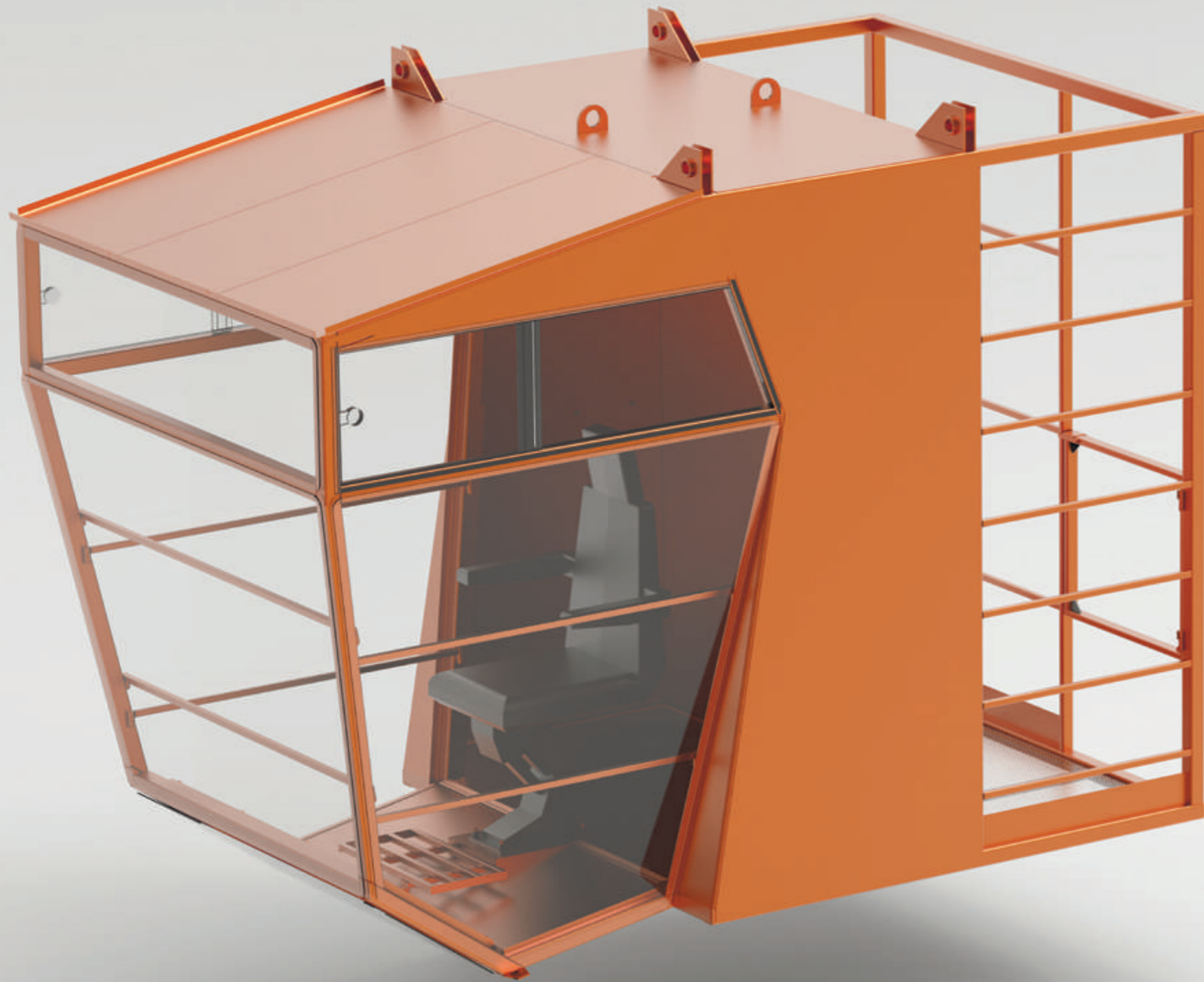
## Technical characteristics:

- ❑ Range of loading capacity of 5-50 t;
- ❑ Crane run from 4-34 m;
- ❑ Lifting speed 4-40 m \ min;
- ❑ Speed of movement of the cargo cart of 4-40 m \ min;
- ❑ Crane movement speed 10-120 m \ min;
- ❑ Operating modes A5-A8.

## Options:

- ❑ Tandem control (control of two cranes simultaneously from one control panel);
- ❑ Indication of cargo weight (digital board);
- ❑ The registrar of parameters of work of the crane;
- ❑ Cargo control system;
- ❑ Radio control.

## Cabins for gantry and bridge cranes



Crane control cabins can be both open and closed type with different input options according to the customer's specifications. Production of a cabin according to the technical task of the customer is possible. Open, closed, ordinary and panoramic control cabins are used to control the crane. Open cabins can be equipped with bridge and mobile cantilever cranes operating in closed heating rooms. Closed cabins are used on cranes operating outdoors or in unheated rooms, as well as in cases of air conditioning. The latter are equipped with cockpit cabins used in hot, chemical and other shops, where there is a release of dust and other harmful substances.

At the request of the customer it can be completed:

- The fan heater of blowing of glass;
- Fire extinguisher and first aid kit with mounting;
- Heater;
- Industrial air conditioner.

# Cable drum

# Closed trolley power line

This is a method of power supply, through a device that moves along the line of movement of the mechanism. This method of power supply reduces the cost of operating the mechanism by increasing the service life of the flexible cable, compared with classical methods, such as cable in the tray.

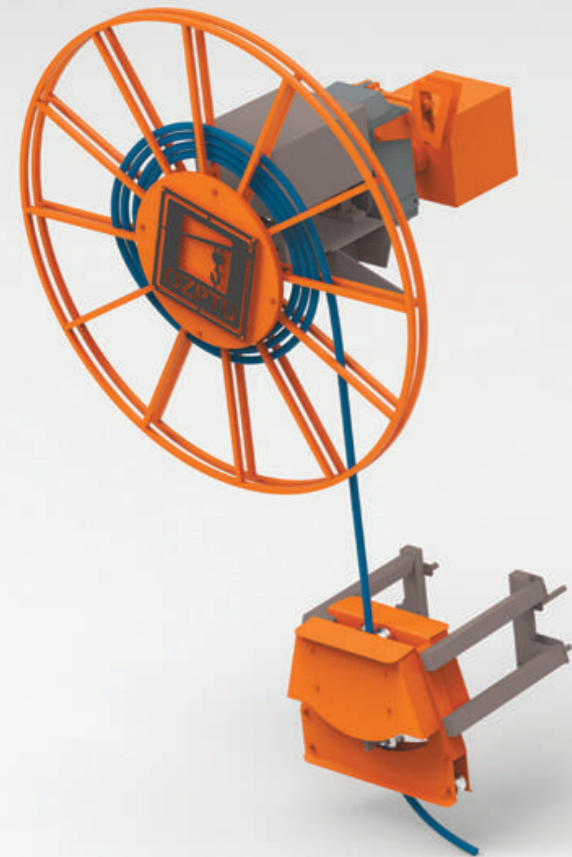
## Advantages:

- ❑ High-quality components give high reliability and guarantee uninterrupted work.
- ❑ Frequency control improves tuning flexibility and security.

Cable drums with frequency control, manufactured by OZPTU LLC, can be used in industrial equipment, where it is necessary to electrify the working elements of the mobile mechanism, with a long path or high intensity of operation.

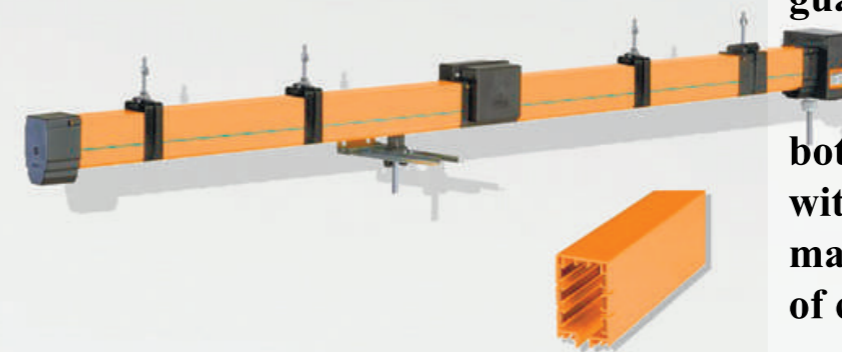
Installation options and design features are adapted to the conditions of application in different industries: port equipment and mobile conveyor connection, etc ...

Besides standard motor drums, we are ready to offer individual solutions.



It is intended for supply of power supply to cranes which is a set of the power supply network which consists of separate sections. The trolley power line, in contrast to cable lines and open highways, has significant advantages: high reliability, longer service life, easy installation and maintenance.

**The solid copper strip guarantees less voltage loss during operation, flexibility in application, is suitable for both straight and radius lines with, does not require intensive maintenance. Estimated number of copper strips is up to 5.**



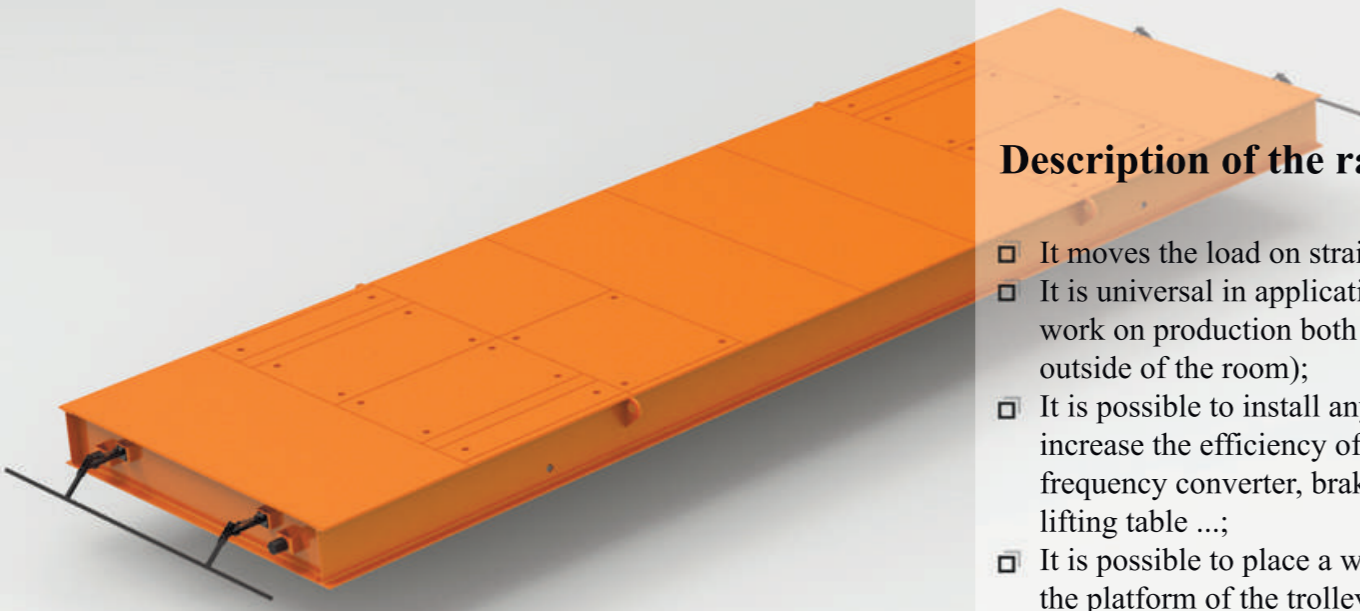
Maximum allowable temperature at the design load  $-30^{\circ}\text{C} + 40^{\circ}\text{C}$  The maximum allowable temperature for a box  $+ 60^{\circ}\text{C}$ , availability of ready complete sections allows to create a universal network and to connect auxiliary electric receivers in case of change of production technology.

# Self-propelled rail trolley

The trolley is intended for transportation of freights (preparations, raw materials, semi-finished products, etc.) between shop sites of production and warehouses. The cart is a vehicle with individual drive. The drive has an electromechanical transmission. The power supply of the trolley is carried out through a cable or batteries, the cable is wound on a drum, which prevents abrasion of the insulation and mechanical damage. The cart has a rigid design with an airtight covering (flooring), for protection of knots and mechanisms against moisture hit. On the front and rear there are levers with emergency stop sensors.

## Description of the rail trolley:

- ❑ It moves the load on straight rail tracks;
- ❑ It is universal in application (optimizes work on production both indoors, and outside of the room);
- ❑ It is possible to install any options to increase the efficiency of the equipment: frequency converter, brake on movement, lifting table ...;
- ❑ It is possible to place a welding rotator on the platform of the trolley to increase its versatility. It is controlled by means of the stationary or cable control panel, a radio channel;
- ❑ It is easy to operate. It is possible to adjust the speed.
- ❑ The trolley has a low-floor design for convenient work and service.



# Freight trolley

The frame of the trolley has a rigid construction.

It houses:

- ❑ Lifting mechanism;
- ❑ Movement mechanism;
- ❑ Security mechanisms.

Safety mechanisms:

- ❑ Load limiter;
- ❑ Lift / lower limit switch;
- ❑ Trolley limit switch.

The load limiter will ensure the correct operation of the truck, will not allow operation with a weight exceeding the nominal by more than 10%.

The lift / lower limit switch will turn off the power within the maximum allowed lift / lower range.

The limit switches of the course provide transition of the crane to the lowered speed in a deadlock zone that allows to provide safer operation of the crane with freight in extreme zones.

The design of the cart is designed so that it can be used for both double-girder and single-girder cranes.

Double-beam trolleys can move on the upper and lower belts. A low-speed shaft is used to move the cart and the length of the tracks depends on the lifting load and the length of the drum.

Cranes with single-girder axles use trolleys that are made with side or reverse guide rollers. These structures keep the trolley from tipping over.





### Festoon trolley current supply system with flat cab

- ❑ Optimum reliability through stable construction.
- ❑ The movement of cables without distortion guarantees high durability.
- ❑ High visibility of cables will help prevent a dangerous situation in the workplace.
- ❑ Minimum maintenance costs.

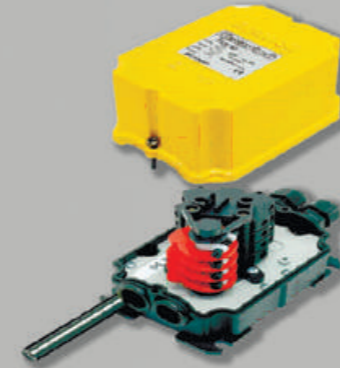


**Limit switch for moving mechanisms** provides transition to the lowered speed in a certain zone and the final restriction in both directions of movement that allows to provide safer work of the crane with freight in extreme zones. Protection class IP 66.



### Light-signaling equipment

- ❑ Optical and acoustic signaling devices will provide comfortable use and prevention of injuries during work.
- ❑ Signaling devices can be activated by means of the special switch on the control panel.



### Limit switch

- ❑ Limit switch is used to control the movement of machines and industrial machinery, is connected via a special flexible coupling.
- ❑ It has 2- and 4-stage protection of the mechanism.



### Gear motors

- ❑ From European manufacturers provide a wide range of installation options.
- ❑ Completely closed and protected from dust and moisture.
- ❑ Mains voltage 110... 690 V, 50/60 Hz.



### Frequency converters

- ❑ Power 0.75... 160 kW.
- ❑ Danfoss or other manufacturers at the request of the client.

## Electric wire rope hoists of the H, HS, HLC, HNC-3/5/10/20/25 series

### Control cabinet:

- Support for additional options;
- Easy connection on connectors;
- High protection degree.

### Advantages:

- Facilitates the design;
- Facilitates installation.

### Flat cylindrical motor-reducer of movement:

- Frequency control in a basic complete set;
- Adjustable speed from 4 to 40 m / min.

### Rope layer with increased angle of the rope up to 5 degrees.

### Effective oil - 10 years without change regardless of the operating mode.

### Belt transmission:

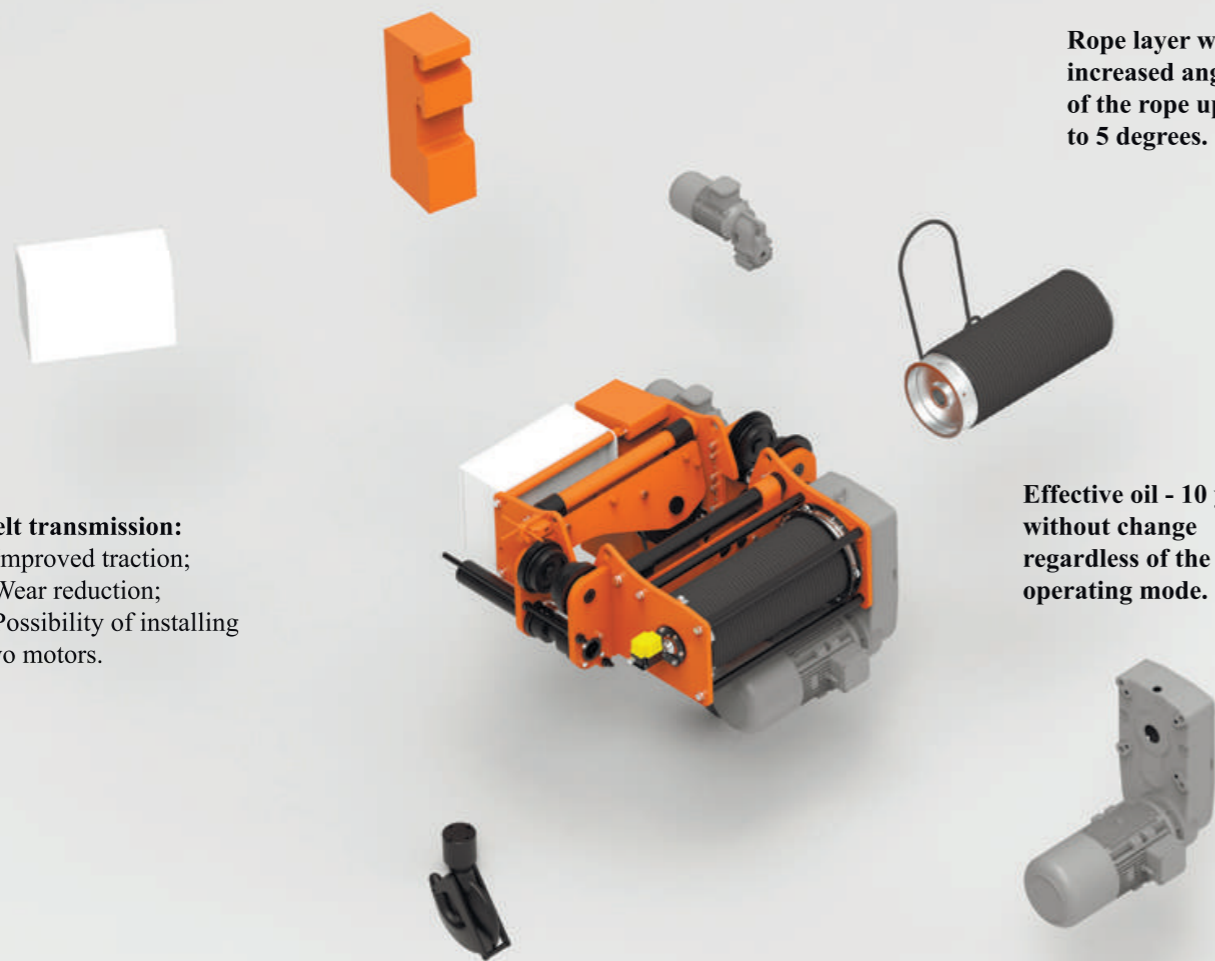
- Improved traction;
- Wear reduction;
- Possibility of installing two motors.

### Hook suspension:

- The optimal diameter of the blocks to reduce rope wear.

### High-performance lifting engine:

- Increased speed range;
- High positioning accuracy.



## Electric rope hoist HLC

The modular design of a rope hoist allows to use it in difficult operating conditions.

You need to choose the right equipment according to your needs.

If you do not find the right performance - contact us for qualified assistance and implementation of your technical task.

The hoist is designed to meet the needs of customers representing different industries

Optimal speeds, modular design and adaptive control system, with additional optional features, will ensure efficient and reliable operation in different operating conditions.

The maximum acceleration of technological operations and energy saving was achieved, thanks to the skilled work of engineers of OZPTU LLC and repeated many times tests. The rope hoist HR has exceptional technical characteristics.